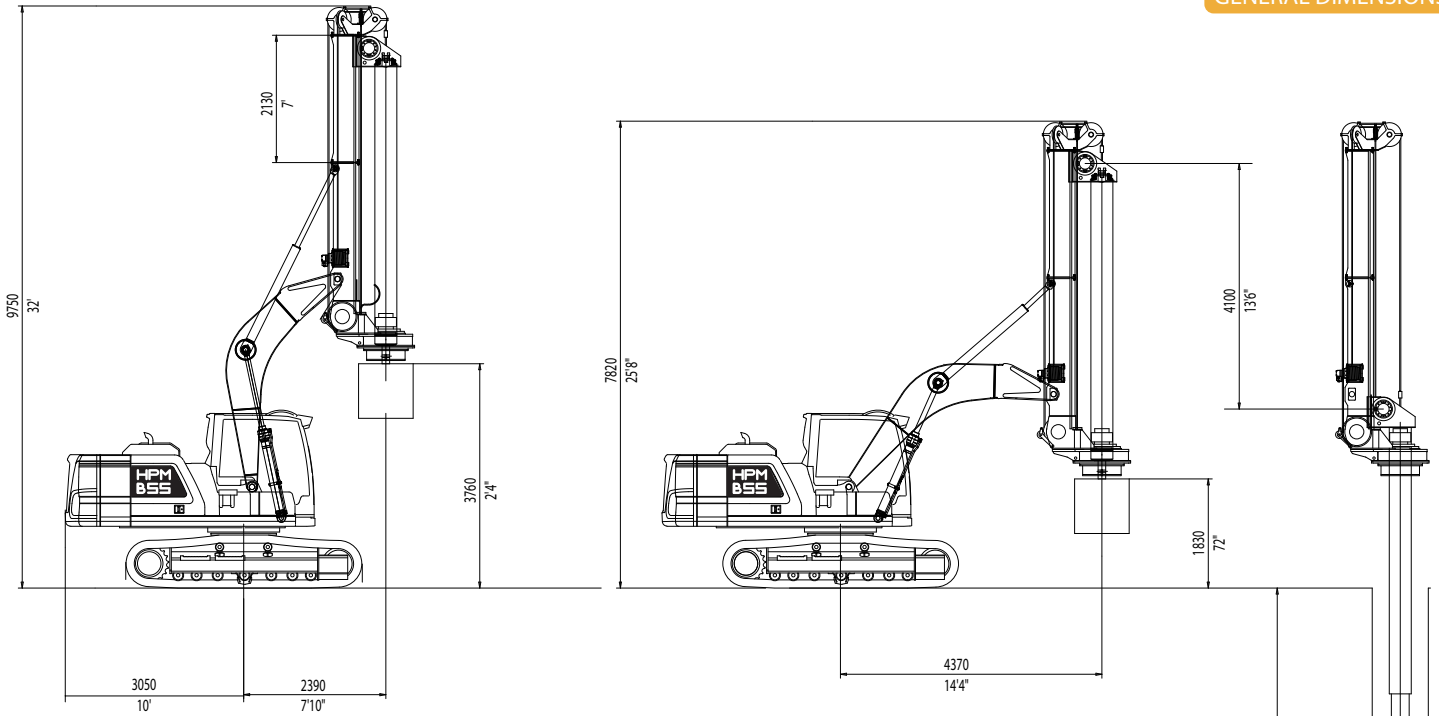


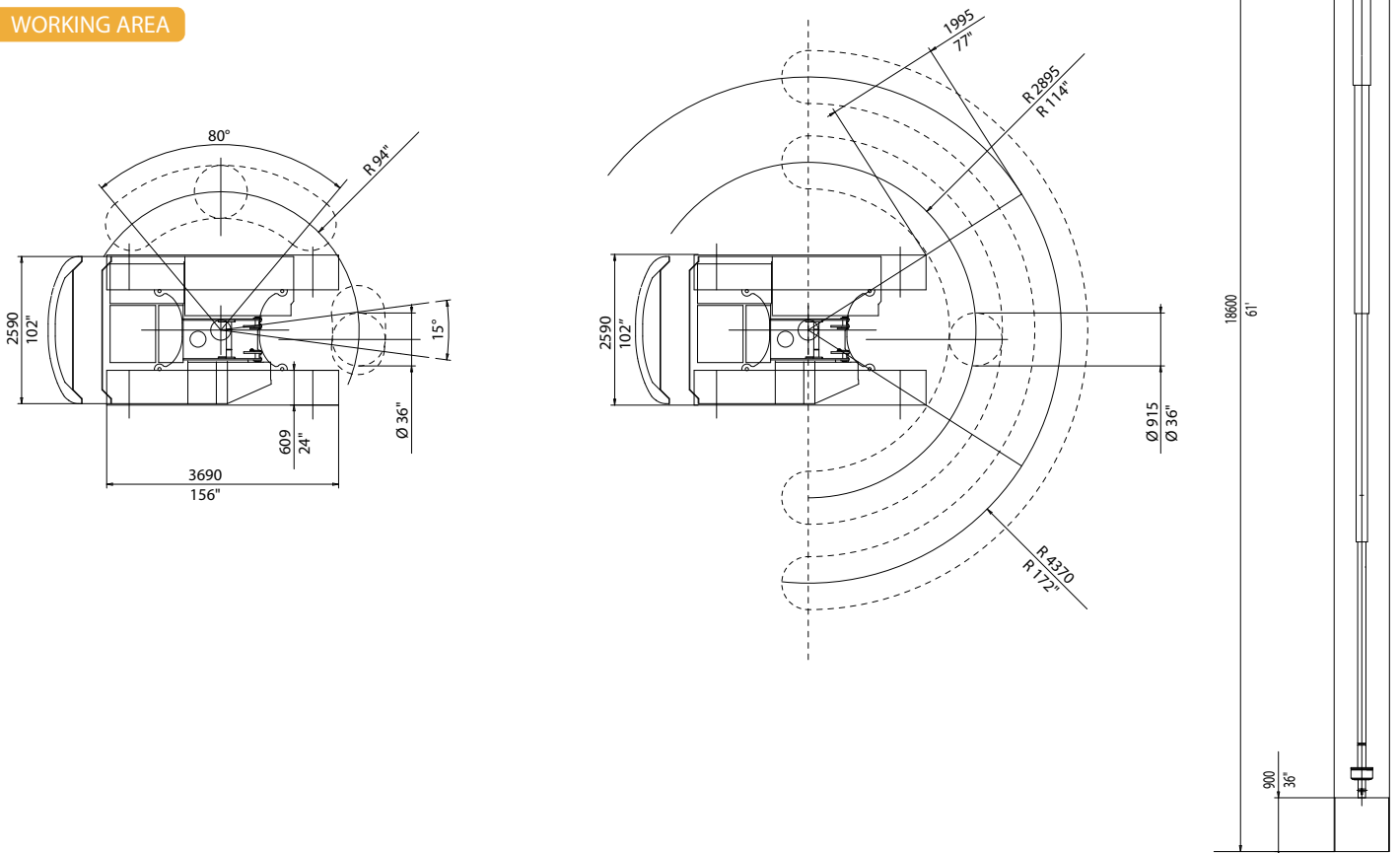
HPM B55



GENERAL DIMENSIONS

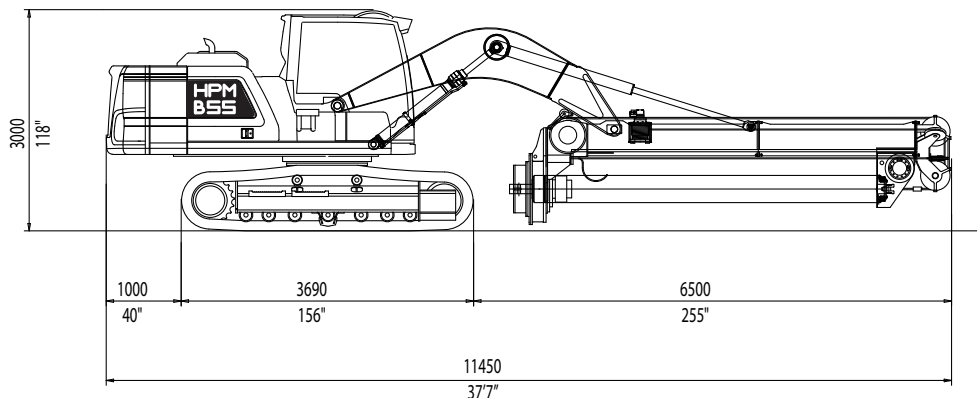


WORKING AREA



Design developments and process improvements may require the specification and materials to be updated and changed without prior notice or liability.
 These and the technical data are provided as indicative information only, with any errors and misprints reserved.

Transport Dimensions & Main Features



Transport Weight: 27000 kg
59000 LBS

Transport Width: 2590mm
102"

SPECIFICATIONS

Base

Model:	CAT 317 NGH	
Engine model:	CAT C4.4	
Power rating ISO 14396:	97 kW	130 hp
Displacement:	4.4 l	269 in ³
Fuel Tank:	271l	71.6 gal

Undercarriage

Undercarriage Type:	Fixed Width	
Width:	2590mm	102"
Shoe Width:	600mm	2'

Rotary

Rotary Torque:	74 kNm	54000 lb.ft
Max Effective Torque:	85 kNm	63500 lb.ft
Working Speed:	0-30 rpm	
Working Gears:	10	
Discharge Speed:	60-100 rpm	
Discharge Gears:	10	

Main Winch

Max Pull Force:	98 kN	22000 lbf
Starting Pull Force:	106 kN	24000 lbf
Rope Speed 1st Layer:	83 m/min	272 ft/min
Rope Speed 2nd Layer:	89 m/min	290 ft/min
Rope Diameter:	19 mm	3/4"

Auxiliary Winch

Max Pull Force:	30 kN	6750 lbf
Rope Speed:	55 m/min	180 ft/min
Rope Diameter:	12 mm	15/35"



Crowd System

Crowd Type:	Winch Crowd Pull	
Pull Force:	103 kN	23150 lbf



Drilling Data

Standard Kelly bar:	5/61	
Drilling Depth:	19 m	61 ft

*Different Kelly-Bar available on request

MAIN STANDARD EQUIPMENT

- Multifunctional HPM Computer
- Travel Alarm
- Cameras
- Automatic Mast Verticalization
- Auto Alignment with memory function
- Rotary Speed Control
- 10 Gears System
- Remote Diagnostics/Updates
- Removable Counterweight
- Extendable Undercarriage

OPTIONAL EQUIPMENT

- Aux. Swing Brake
- Casign Oscillator Predisposition
- Universal Casing Joint
- Remote Control
- Self Erecting Counterweight
- FOPS cab
- Biodegradable Hydraulic Oil
- Central Lubrification System
- Short Mast Kit

Design developments and process improvements may require the specification and materials to be updated and changed without prior notice or liability.

These and the technical data are provided as indicative information only, with any errors and misprints reserved.