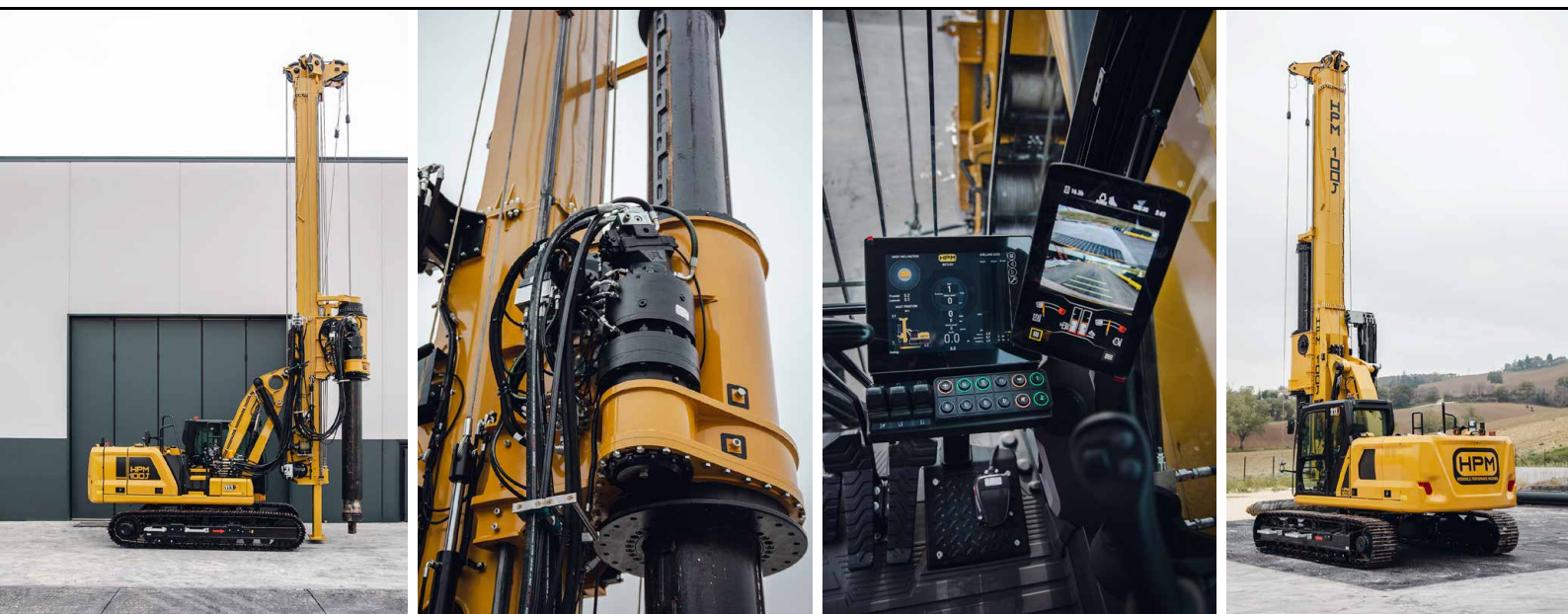


HPM 100J



Base

Model	CAT 313	
Engine model	CAT C3.6	
Power rating ISO 14396	82 kW	108 hp
Displacement	3.6 l	220 in ³
Fuel Tank	258 l	68.2 gal

Undercarriage

Undercarriage Type	Variable Width	
Width:	2500-3300mm	8'2" - 10'10"
Shoe Width:	500mm	20"

Rotary

Rotary Torque	123 kNm	90700 lb.ft
Max Effective Torque	105 kNm	77450 lb.ft
Working Speed	8-28 rpm	
Working Gears	10	
Discharge Speed	50-125 rpm	
Discharge Gears	10	

Main Winch

Max Pull Force	120 kN	27000 lbf
Starting Pull Force	130 kN	29250 lbf
Rope Speed	70 m/min	230 ft/min
Rope Diameter	22 mm	7/8"

Auxiliary Winch

Max Pull Force	30 kN	6750 lbf
Rope Speed	55 m/min	180 ft/min
Rope Diameter	12 mm	15/35"



Crowd System

Crowd Type:	Argano con tiro in 3°	
Pull Force:	201 kN	45200 lbf
Push Force	100 kN	22500 lbf

*Cylinder Crowd System available on request



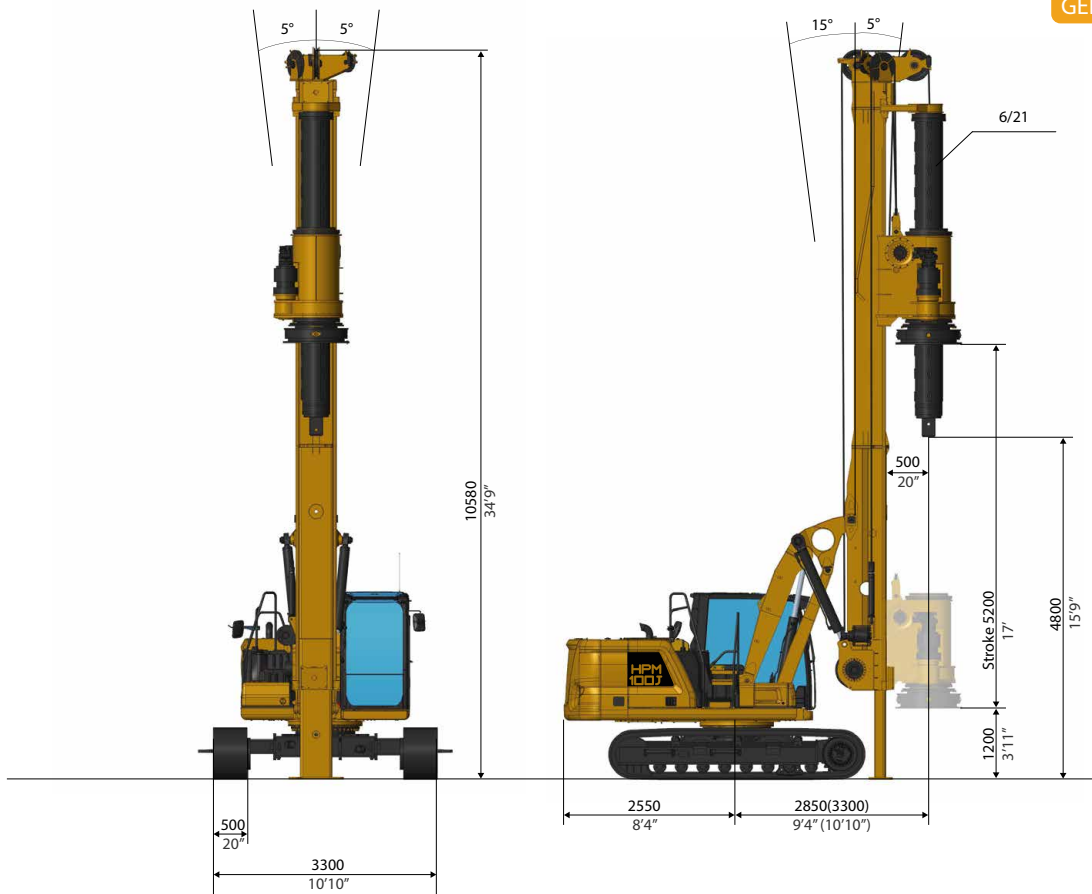
Drilling Data

Standard Kelly bar:	6/21	
Drilling Depth:	21 m	68 ft
Drilling Diam.:	1000mm	3.28 ft

*Different Kelly-Bar available on request

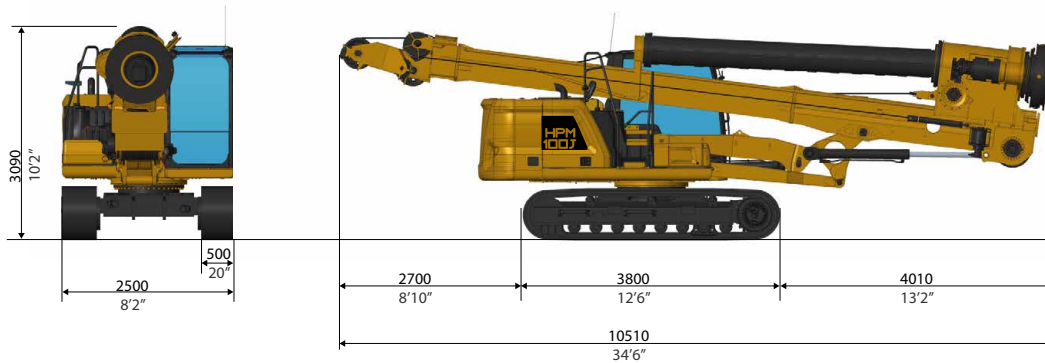
** Other drilling diameters available on request





Operating Weight

Weight with 6/21 KB 26.5 ton 58400lb



Transport Weight

Weight with 6/21 KB 26.5 ton 58400lb

MAIN STANDARD EQUIPMENT

- Multifunctional HPM Computer
- Travel Alarm
- Cameras
- Automatic Mast Verticalization
- Auto Alignment with memory function
- Rotary Speed Control
- 10 Gears System
- Remote Diagnostics/Updates
- Removable Counterweight
- Extendable Undercarriage

OPTIONAL EQUIPMENT

- Cylinder Crowd System
- Aux. Swing Brake
- Casign Oscillator Predisposition
- Universal Casing Joint
- Walking Platform
- Remote Control
- Self Erecting Counterweight
- FOPS cab
- Biodegradable Hydraulic Oil
- Central Lubrication System
- CFA Kit
- Short Mast Kit

Design developments and process improvements may require the specification and materials to be updated and changed without prior notice or liability.

These and the technical data are provided as indicative information only, with any errors and misprints reserved.